



Phone: (530)570-1123
3168 Aloha Ln Chico, CA 95973
www.handozer.com

Safety, Operating & Assembly Instructions



“Handozer D3.5-MG” Arena & Driveway Groomer

WARNING!

Please read and understand this manual and all instructions before operating this groomer!

Thank you!

and congratulations on your purchase of your new **Handozer D3.5-MG**

“Handozer D3.5 Multi Groomer”
Do it all with your lawn & garden tractor

**The durable “Multi Groomer” rips levels and grooms your
gravel drives, arenas, gardens and more!**

The new **Handozer Multi Groomer** drag by **Handozer Distributing** is designed to grade soil, sand, gravel and more. The 42 inch wide **Handozer D3.5-MG** is user friendly and is great for grooming gravel driveways, home horse arenas, round pins, gardens and more. All with your lawn & garden tractor or small ATV! The new caster system makes the **Handozer D3.5-MG** easy to transport and handle. Attach our pull rope to the caster lever and operate the **D3.5 Dozer** remotely from the seat of your mower! The front spikes are adjustable with V-bolts and the with the new adjustable turnbuckle hitch! This combination gives you total control of the spike depth. The new pivoting back rake is reversible and has three positions for raking or grading soil. If more weight is what you need simply place a standard block from your local Home & Garden Store in the brackets provided in frame. The **Handozer D3-MG** works excellent in wet or dry conditions. The design of **Handozer D3.5-MG** side rails and tow hitch maintain the depth control you desire while providing an aggressive cutting action for the toughest of surfaces. The **D3.5-MG** is also a leveling implement for your gravel and garden areas. The **MG** is two pieces of garden tractor or small ATV, implements for the price of one!

Add a concrete block and groom gravel drives too!



Please tell your friends about our new **Handozer D3.5-MG** Multi Groomer! Having Handozer owners spread the word about our products is the best advertising we can have!

For technical assistance, please call (530)570-1123

Thanks Again!

Mike Grosberg

Sales Manager/Owner

General Safety Rules

WARNING!

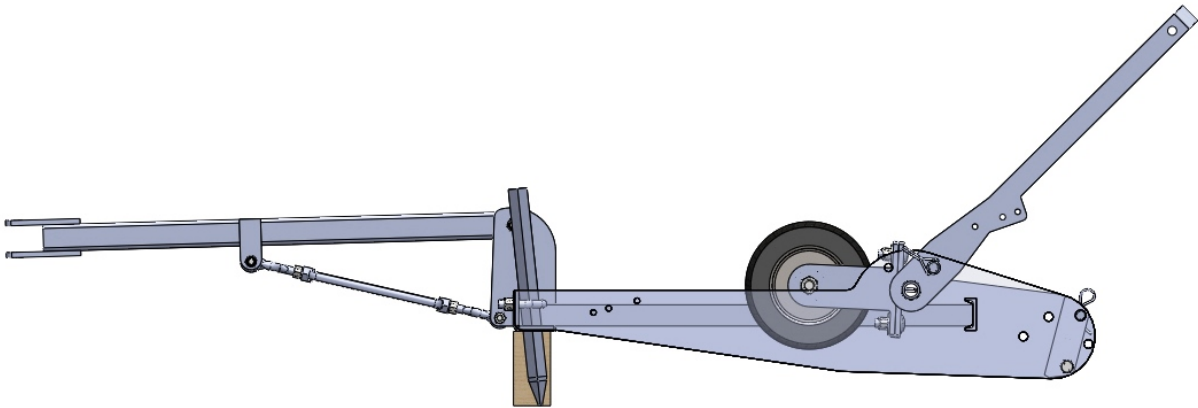
Please read and understand this manual and all instructions before operating this groomer! Become familiar with the service recommendations to ensure the best performance from your groomer.

- 1. Do not exceed 3 mph when grooming.**
- 2. Do not exceed 5 mph when transporting.**
- 3. Do not tow or transport on public roads.**
- 4. Maximum load capacity is 50 lbs.**
- 5. Never allow people to stand on or ride on this machine.**
- 6. Keep children out of the grooming area.**
- 7. Never allow children to operate the Handozer Groomer.**
- 8. Never allow children to ride on the tow vehicle or the Handozer Groomer.**
- 9. Keep all nuts and bolts tight and keep the equipment attachments in good operating condition.**
- 10. Forward motion of the Groomer “only” when Groomer is in contact with the ground.**
- 11. No list of warning can be all-inclusive! The operator must apply common sense and operate this Groomer in a safe manner.**

Spike Adjustment

To adjust the Handozer MG spikes to a depth of 1.5”

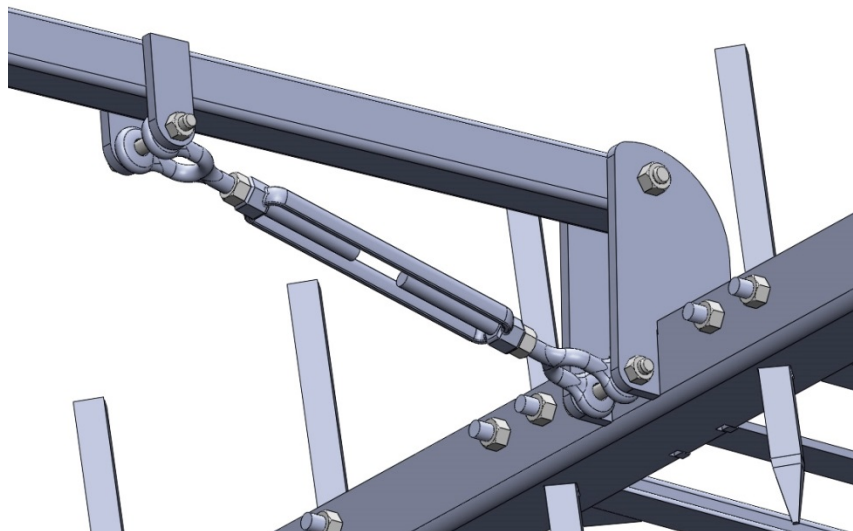
1. Place the Handozer MG on a flat surface.
2. Place 2 x 4 block on edge under the middle of the spike bracket.
3. Loosen all of the V-bolts holding the harrow spikes.
4. Insert harrow spikes into holes evenly on the flat surface.
5. Tighten all the V-bolt securely.
6. This process is repeated after the harrow spikes wear down over time.
7. 2 x 4 wood blocks make perfect spacers.



2 x 4 Block

After spike adjustment use the “*turn buckle*” to make minor depth adjustments for different soil conditions.

Turn Buckle



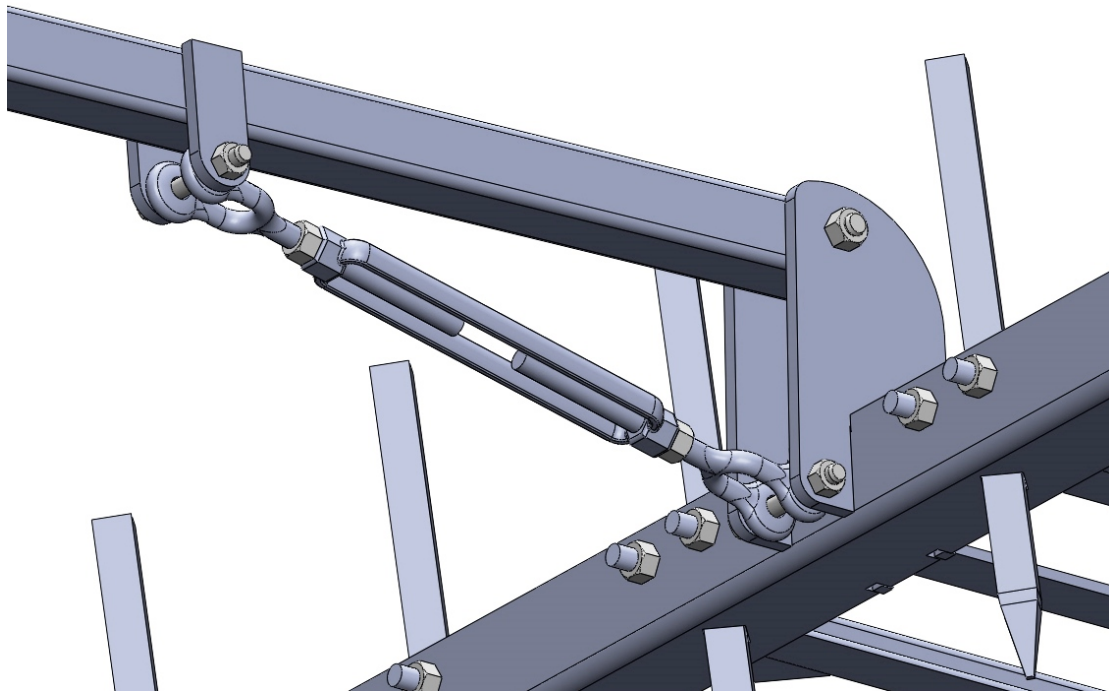
Recommended Factory Spike Depth

The manufacture recommends a spike depth of 1.5".
In a sand arena that equals 2" depth overall.

You can simply adjust the Handozer spike depth from 1" more or less, by adjusting the front "turn buckle".

Extending the "turn buckle" lowers the spike depth and contracting the "turn buckle" raises the spike depth.

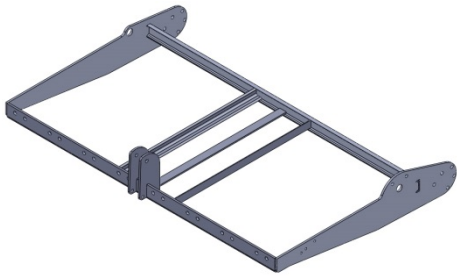
"Turn Buckle"



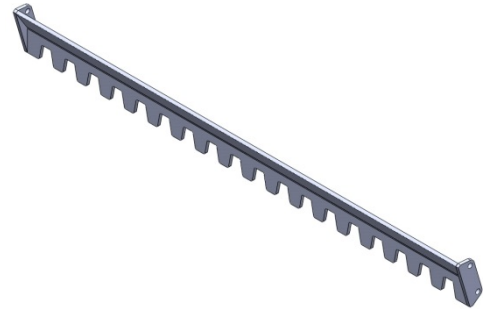
Parts Check List & Replacement Parts

For replacement parts go on-line @ www.handozer.com
or call (530)570-1123

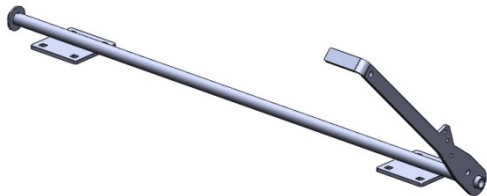
1. Frame Assembly MG-1000 qty. 1



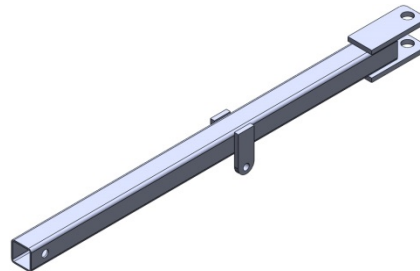
2. Rake MG-2000 qty. 1



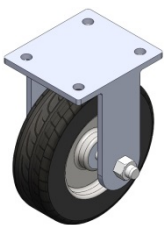
3. Axle Assembly MG-3000 qty. 1



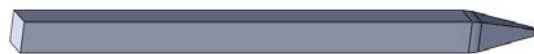
4. Adjustable Hitch Assembly MG-4000 qty. 1



5. 6" Rigid Caster qty. 2

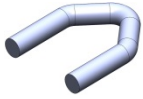


6. EQ-Harrow Spikes 5/8 x 5/8 x 8" qty. 8



Fasteners

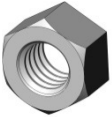
7. EQ-V-Bolts qty. 8 (in bag)



9. 3/8" x 2.25" Bolts qty. 1



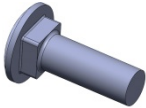
11. 3/8" Left Standard Handed Nut qty. 1



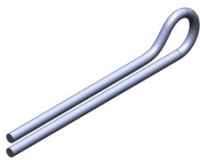
13. 5/16" x 2.25" Bolt qty. 2



15. 3/8" x 1" Carriage Bolt qty. 8 (in bag)



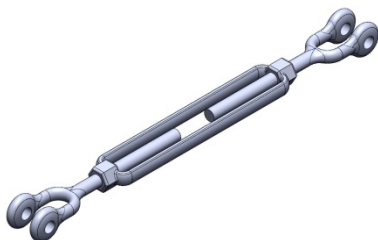
17. 1/8" x 2" Cotter Pin qty. 1



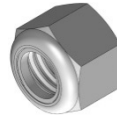
19. Hitch Pin Clip qty. 2



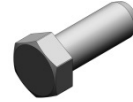
21. Turnbuckle qty. 1



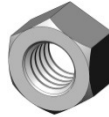
8. 3/8" Locking Nut qty. 27 (24-inbag)



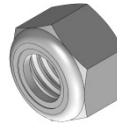
10. 3/8" x 1" Hex Bolts qty. 2



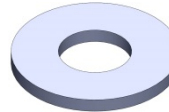
12. 3/8" Right Standard Handed Nut qty. 1



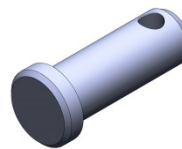
14. 5/16" Locking Nut qty. 2



16. 3/8" Washers qty. 8 (in bag)



18. 3/8" x 1" Clevis Pin qty. 2



20. PTO Pin qty. 1 (in bag)



22. Nylon Rope qty. 9'

Implement is partially pre-assembled. The spikes and wheels are last to assemble. Remaining fasteners are in the bag.

Assembly Drawing

ITEM NO.	PART NUMBER	SIZE	LENGTH	QTY.	VENDOR
1	MG-1000-42-8S			1	
2	MG-2000-42			1	
3	MG-3000-42			1	
4	MG-4000-42			1	
5	Caster	D9SN6X2B-R		2	Caster City
6	0.625in X 8in Spike	SP560231		8	Special Products
7	V Bolt	opc03001		8	Ottawa Products Co.
8	0.375in Center Nylock NC 16 Nut			27	Fastenal
9	0.375in Grade 5 NC 16 Bolt		2 1/4"	1	Fastenal
10	0.375in Grade 5 NC 16 Bolt		1"	2	Fastenal
11	0.375in Left Handed Standard NC 16 Nut			1	Fastenal

ITEM NO.	PART NUMBER	SIZE	LENGTH	QTY.	VENDOR
12	0.375in Right Handed Standard NC 16 Nut			1	Fastenal
13	5_16in Grade 5 NC 18 Bolt		2 1/4"	2	Fastenal
14	5_16in Center Nylock NC 18 Nut			2	Fastenal
15	Carriage Bolt	3/8" X 1"		8	Fastenal
16	0.375in USS Washer			8	Fastenal
17	Cotter Pin	1/8" X 2"		1	Fastenal
18	0.375in Clevis Pin		1"	2	Fastenal
19	Hitch Pin Clip	BP-2106		4	Fastenal
20	PTO Pin	3/8" X 1 1/2"		1	Fastenal
21	Tumbuckle	3/8" X 6"-JJ		1	Safeland Industrial Supply
22	MG-Act Bk	4 1/16" X 7/8" DXF 1/4" HR PL		2	
23	0.25in Clevis Pin		2 1/2"	2	Fastenal
24	0.25in Grade 5 NC 20 Bolt		3/4"	4	Fastenal
25	0.25in Center Nylock NC 20 Nut			4	Fastenal
26	Accele Linear Actuator	AE 6106T		1	

ITEM NO. 19, 18, 10, 20, 3, 16, 26, 23, 24, 22, 25, 6, 7, 9, 8, 12, 21, 11, 13, 14, 4

DRAWN BY: MICHAEL S. COLLINS

SCALE: 1:6

SHEET 2 OF 22

WALDO
MANUFACTURING

1886-500-6428
2954 HWY 203E, DODD
CHICAGO, IL 60645

REV DATE: 2/23/2014

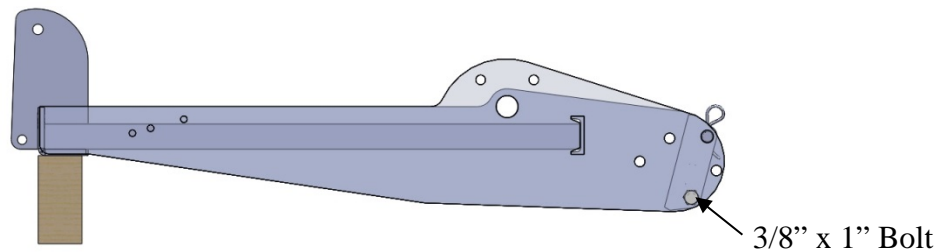
DRAWING NAME: MG-D3.5-8S

TITLE: Bill of Materials

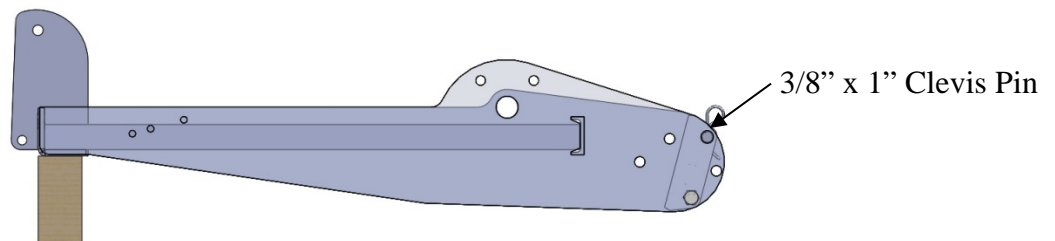
Assembly Instructions

1. Attaching Grading Rake

This is done by factory!



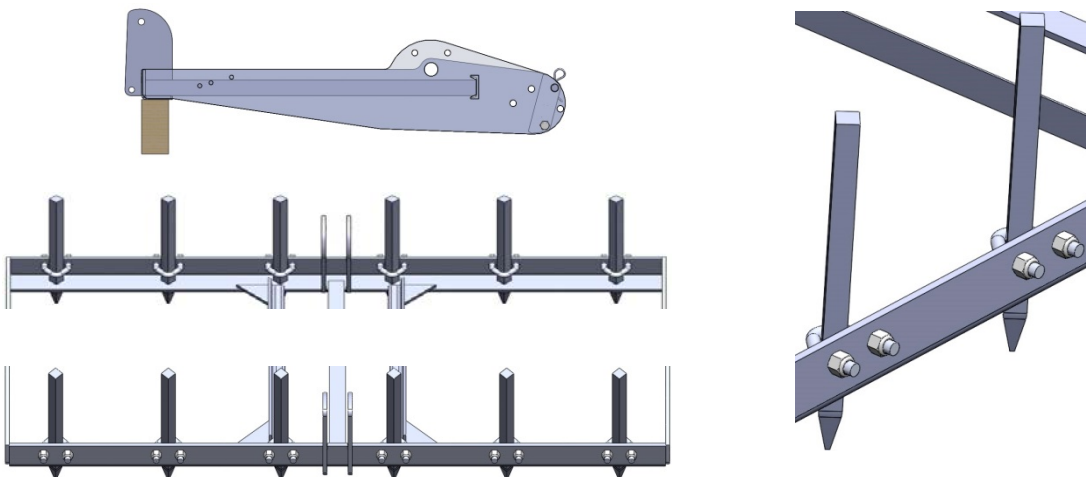
- a. Insert 3/8'' x 1'' clevis pins into right and left top holes to desired position, and attach clevis clip!



2. Attaching Harrow Spikes

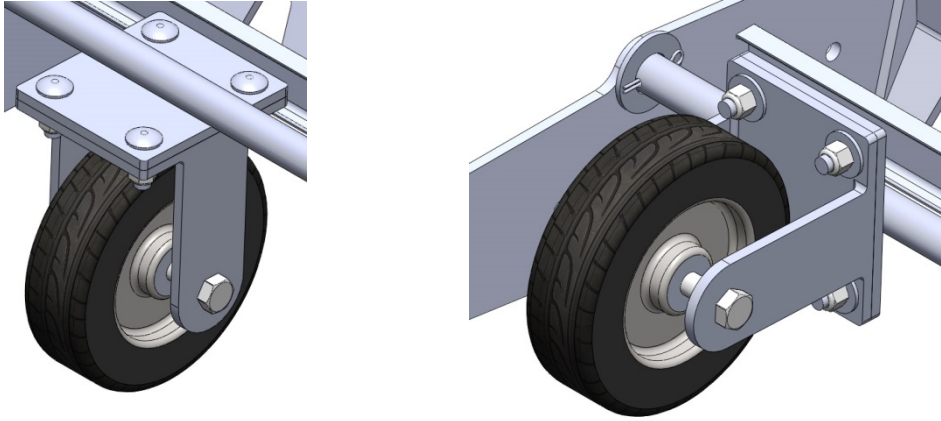
Place 2 x 4 spacer under front spike bracket and place 5/8'' x 8'' harrow spikes into diamond shaped hole spike down.

Place V-bolts into the holes from the spike side to the front, Place the V-bolts as shown in diagram. Then twist on 3/8'' lock nuts and tighten with wrench till spikes are secure.



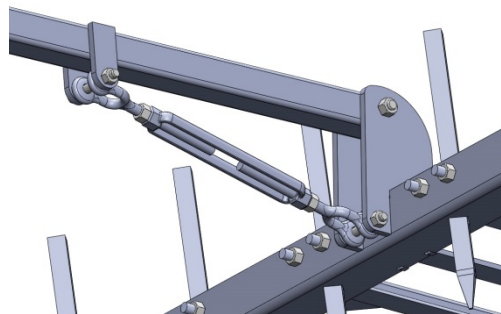
3. Install Casters

Insert 3/8" x 1" bolt into top of caster plate. Place washer onto bolt below caster plate and the twist on 3/8" locking nut and tighten with wrench till caster is secure as shown in picture below!



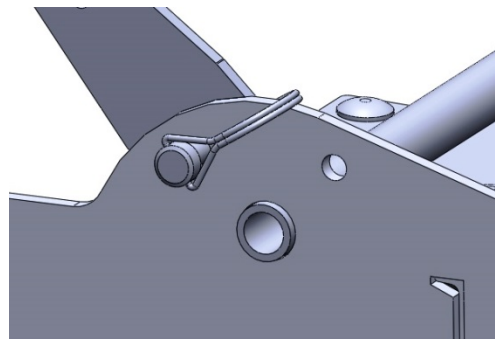
4. Install Draw Bar

Rotate Draw Bar over attach turn buckle to draw bar tabs up with 5/16" x 2.25" Bolt and Locking Nut.



6. Install PTO Pin

Insert PTO Pin in to hole provided in the frame to hold casters in transport or grooming position.



Vehicle Hitching Instructions



Set the clevis hitch to the tow vehicle at an elevation that keeps the Handozer MG side rails riding level or at a slight upward pitch to the tow vehicle, while grooming.

Extending the “*turn buckle*” lowers the spike depth and contracting the “*turn buckle*” raises the spike depth at the tow vehicle hitch point.

Note: Grooming gravel drives set the spike depth to 3/4” or less!



Operating Parameters

There are three (3) different types of tow vehicles recommended for the **Handozer D3.5-MG** Groomer. Each vehicle has specific strengths, weaknesses and operating parameters when used with the **Handozer D3.5-MG** Groomer.

- **Lawn Tractor**

- 14 HP and or 500 pound tractor minimum
- 5% slope or less
- Material loosened during grooming increases traction difficulties
- Very good speed control and turning radius
- Forward motion of the Groomer “only” when Groomer is in contact with the ground.

- **Garden Tractor**

- 14 HP and or 500 pound tractor minimum
- 5% slope or less
- Material loosened during grooming increases traction difficulties
- Very good speed control and turning radius
- Forward motion of the Groomer “only” when Groomer is in contact with the ground.

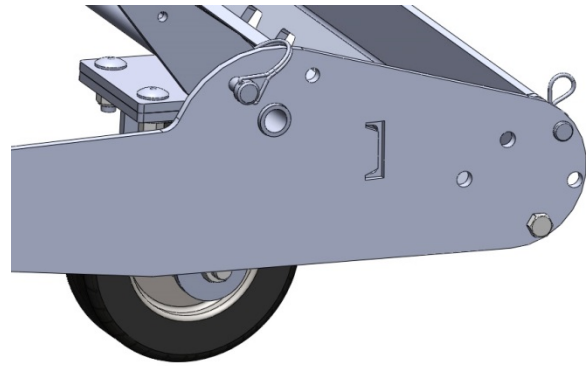
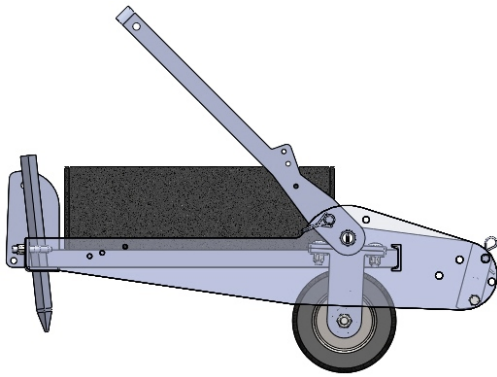
- **2WD ATV**

- 250cc 2WD or 4WD
- 5% slope or less
- Traction issues are less evident
- More difficult to maintain consistent speed
- Turning radius is larger

With increased power, the chances of accidentally damaging the Groomer are increased.

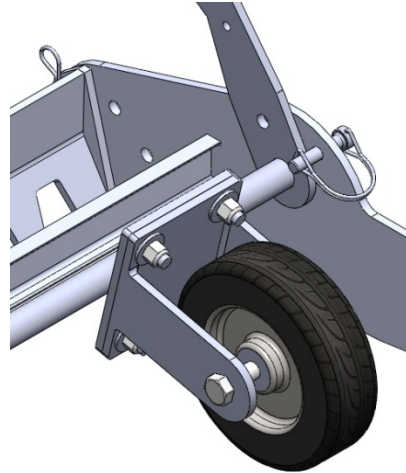
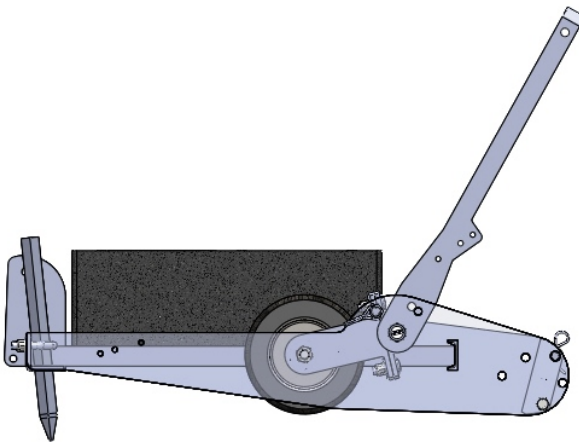
Transporting

To transport, pull the PTO pin out of the lever and rotate the lever and wheels to the down position and re-insert the detent pin.



Transport Position

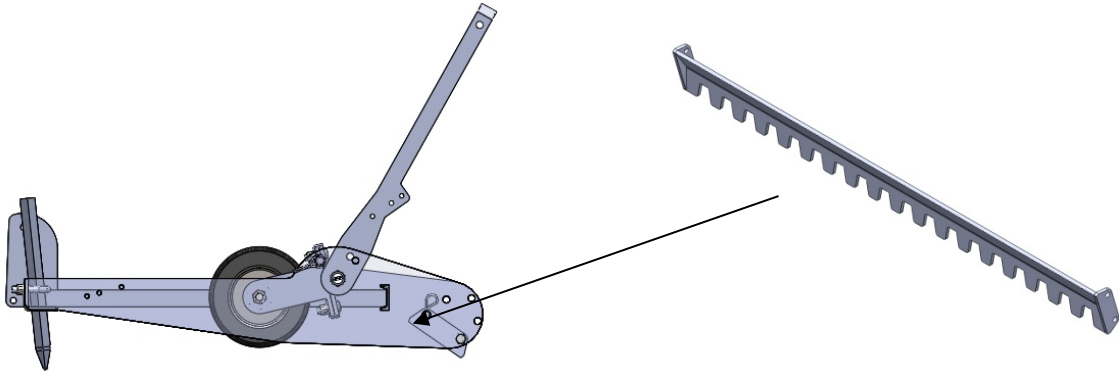
Grooming



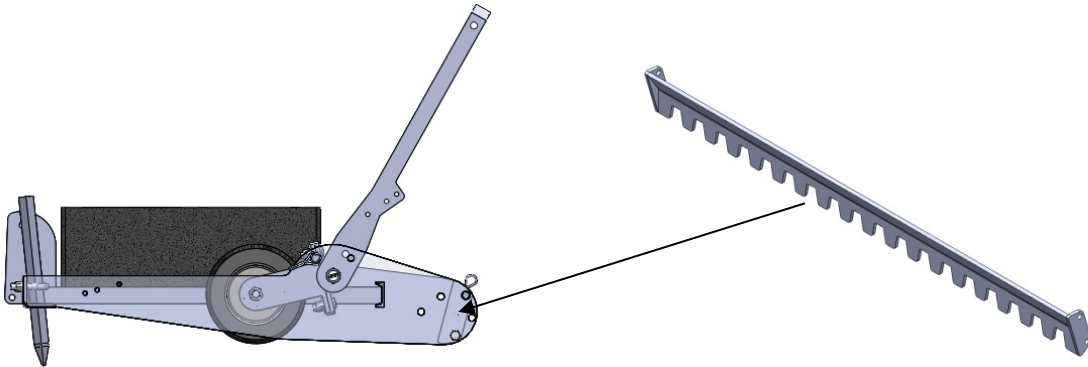
Grooming Position

Grading Rake Instructions

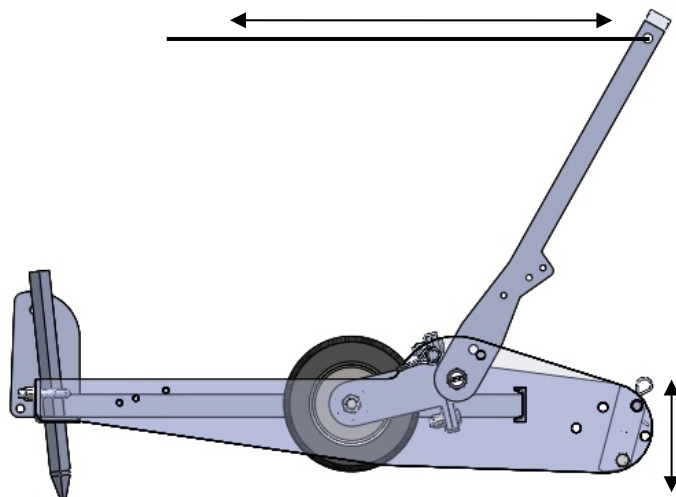
When grooming footings in arenas, it is best to rotate the grading rake to the front hole position, with the rake tines in the down. You can use the flat side also! It is not necessary to use block in sand arenas!



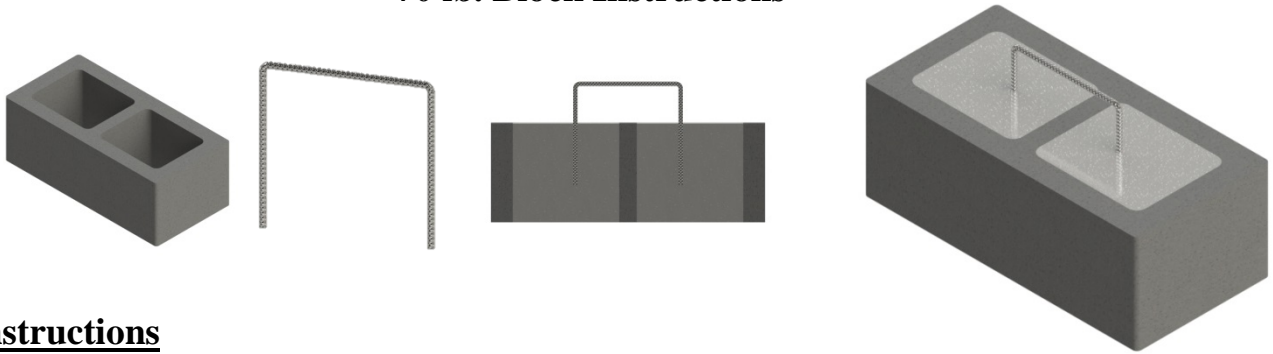
When grading gravel drives, it is best to use the block! Rotate the grading rake to the rear or middle hole positions, with the rake tines down. You can also unbolt the grading bar, flip it over and use the flat edge to grade, level and move soil to desired locations.



**Rope is for lifting Dozer wheels up and down during operation!
Leave PTO Pin in front hole and let axle rotate freely!**



Handozer Multi Groomer 70 lb. Block Instructions



Instructions

1. Place cinder block on cardboard with holes down.
2. Form rebar into U shape handle 6" x 6" x 6".
3. Mix concrete and pour into cinder block filling both holes.
4. Place rebar into concrete and let dry for 24 hours.
5. Total approx. weight: 80 lbs.

Daily Checklist for the Handozer D3.5 Multi Groomer

To help maintain your Handozer D3.5 Multi Groomer for optimum performance, we recommend you follow this checklist each time you operate your machine.

- () **HARDWARE:** Check nuts and bolts to be sure that the components are Secure.
- () **FRAME:** Check all welds to be sure that the frame is in tact and secure.
- () **CLEAN:** Make sure that the space between the spikes and the rakes are free of debris and the frame is clean.



Handozer Distributing
3168 Aloha Ln Chico, CA 95973
(530)570-1123 www.handozer.com



Handozer Product Warranty

All Handozer Products by Handozer Distributing are warranted for one (1) year against defects in materials or workmanship when put to ordinary and normal consumer use; ninety (90) days for any other use.

For the purposes of all the above warranties, "ordinary and normal" consumer use refers to non-commercial residential use and does not include misuse, accidents or damage due to any other use.

Handozer distributing (**Home of the Handozer**) certifies that all Handozer products are fit for ordinary purposes for which a product of this type is used. Handozer Distributing however limits the implied warranties of merchantability and fitness to a period of one (1) year in consumer use, ninety (90) days for any other use.

A 1-Year Limited Warranty starts on Handozer products the date the machine ships from our factory. The 1-Year Limited Warranty is applicable only to the original owner.

The warranty holder is responsible for the performance of the required maintenance as defined by the owner's manual. The warranty holder is responsible for replacement of normal wearing parts such as the Harrow Spikes, Rakes, Side Rails and Wheels. Attachments and accessories to the machine are not covered by the warranty.

During the warranty period, the warranty holder is responsible for the machine transportation charges, if required. During the warranty period, the warranty parts will be shipped by standard method at no charge to the warranty holder. Expedited shipping of warranty parts is the responsibility of the warranty holder.

SOME STATES DO NOT ALLOW LIMITATIONS ON THE LENGTH OF IMPLIED WARRANTIES, SO THE ABOVE LIMITATIONS MAY NOT APPLY TO YOU.

Handozer Distributing shall not be liable under any circumstances for any incidental or consequential damages or expenses of any kind, including, but not limited to, cost of hiring services to perform tasks normally performed by the Handozer Multi Groomer.

SOME STATES DO NOT ALLOW LIMITATIONS OF INCIDENTAL OR CONSEQUENTIAL DAMAGES, SO THE ABOVE LIMITATIONS MAY NOT APPLY TO YOU.

THIS WARRANTY GIVES YOU SPECIFIC LEGAL RIGHT, AND YOU ALSO HAVE OTHER RIGHTS, WHICH VARY FROM STATE TO STATE.